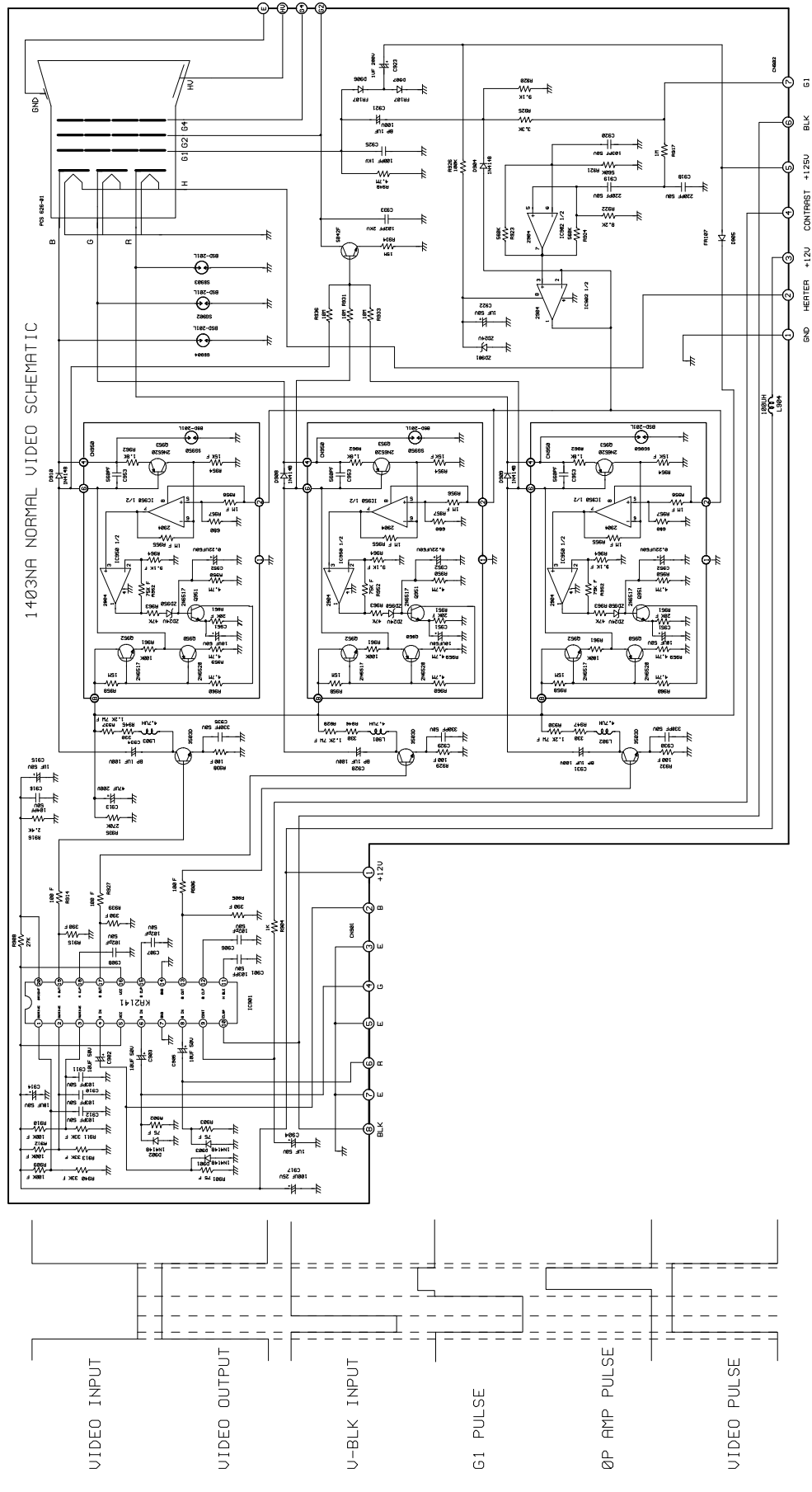


1403NA NORMAL VIDEO SCHEMATIC



MODEL NAME : 1403NA NORMAL VIDEO
 FILE NAME : 1403NA-SK-SCH
 UPDATE : 2000.05.24