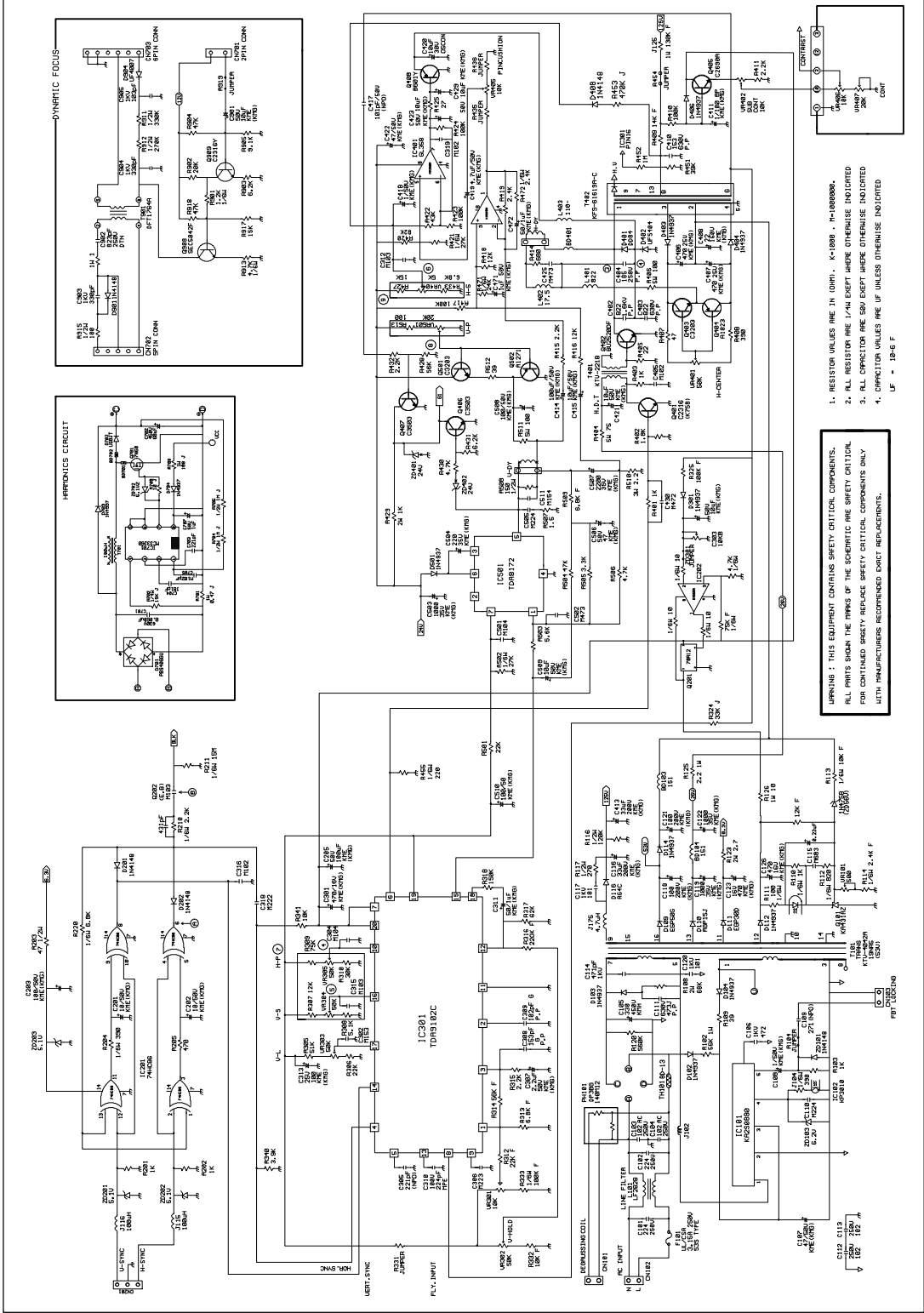


REV	CONTENTS	ECO NO	DTE
1	R115C 1/4W 1K → 1/4W 47	EC00012889	8/11/22/20
2	R111C 1/4W 100 → 1/4W 51	EC00012811	8/11/22/21
3	R113C 1/4W 47 → 1/4W 1K	EC00012811	8/11/22/21
3	R111C 1/4W 51 → 1/4W 100	EC00012811	8/11/22/21
4	R523C 2W 2.2 → 2W 2.2	EC00012883	8/11/21/15



KORTEK CORPORATION	
MODEL NAME	KT-1963NA(1ST)
APPROVALS	PCB NAME X030NA(18K)
DRAWN	1. MFIN
DESIGNED	2. SOCKET
CHECKED	SUB
APPROVED	DATE 2001.01.15
DWG. NO	REV. NO 4