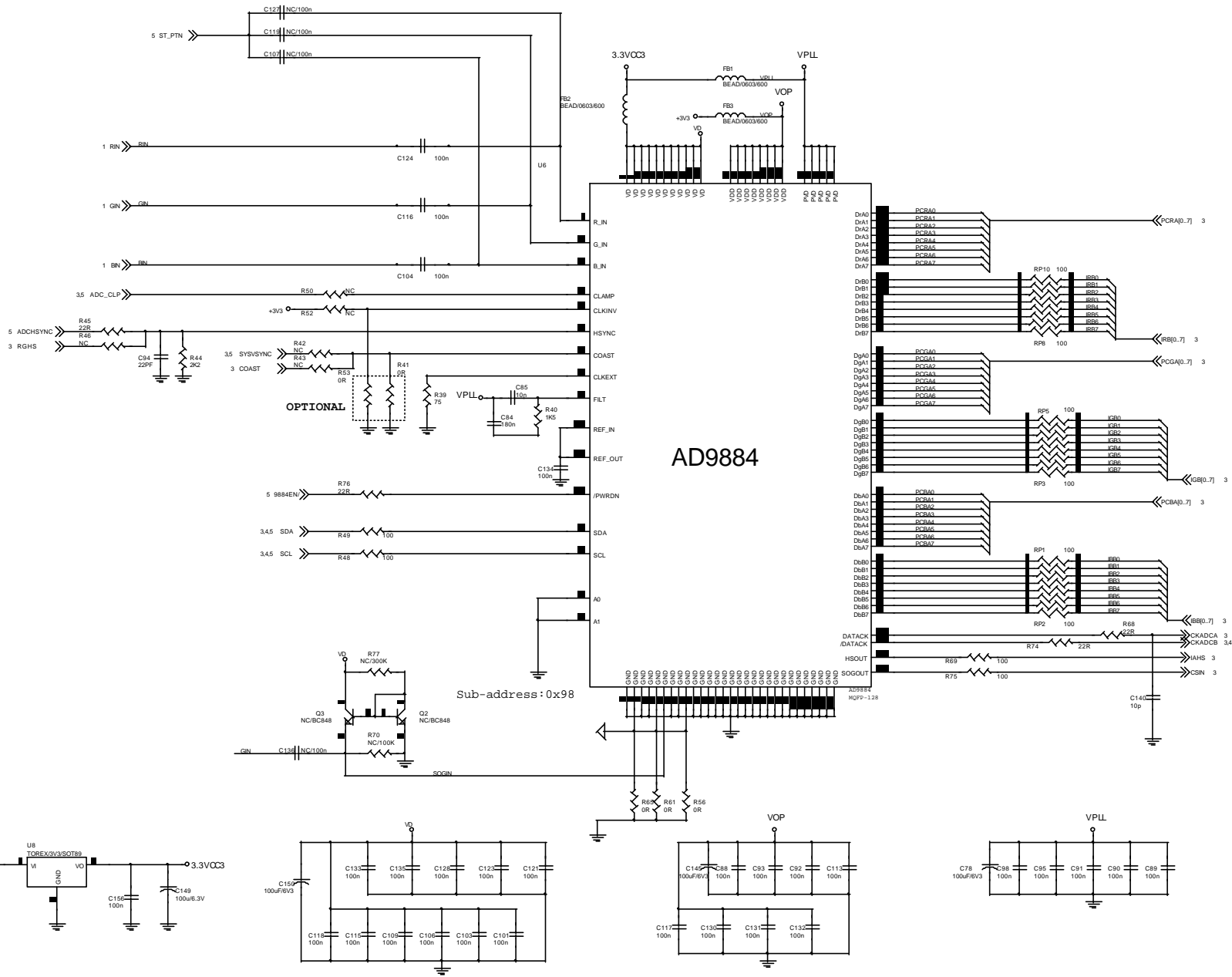
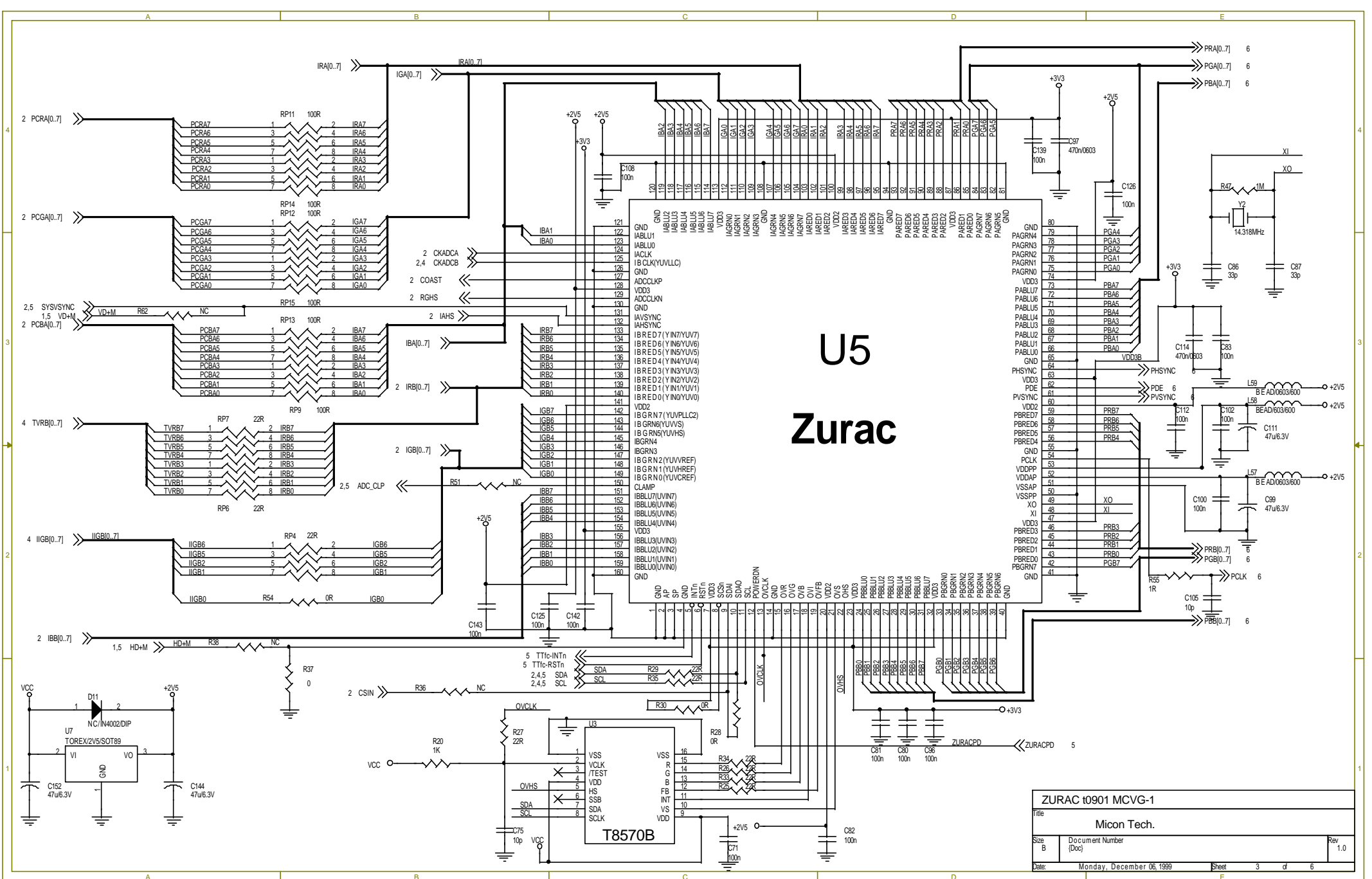


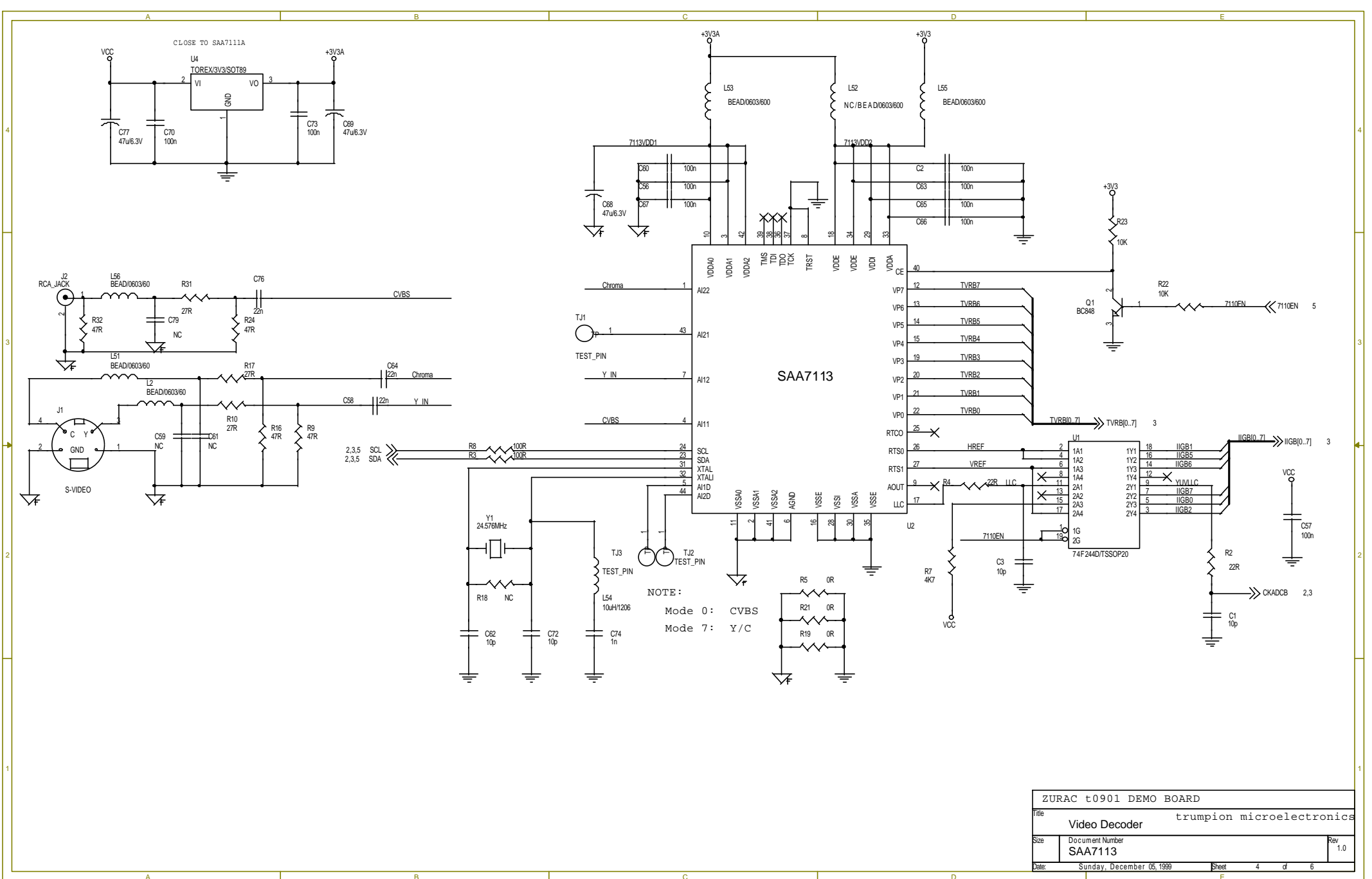
Title		
VGA IN & PWR		
Size	Document Number	Rev
B	(Doc)	1.0
Date:	Tuesday, December 07, 1999	Sheet 1 of 6



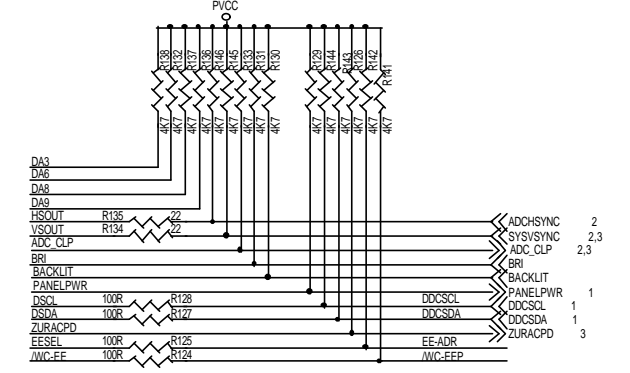
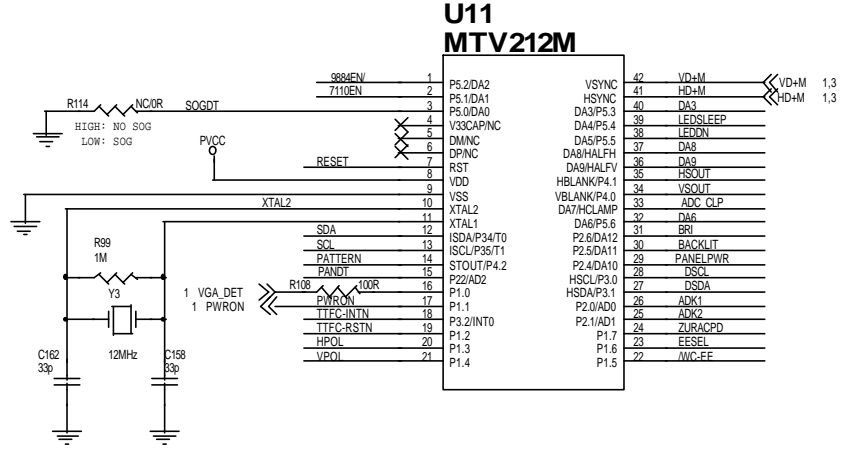
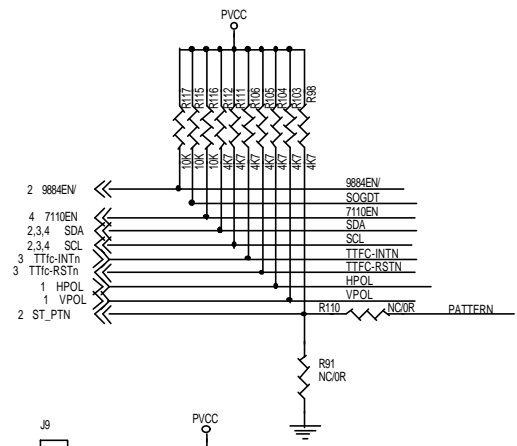
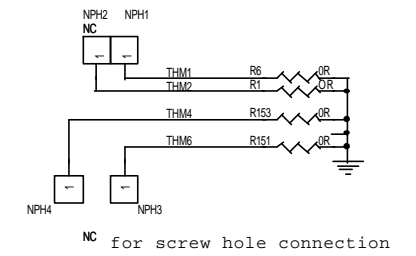
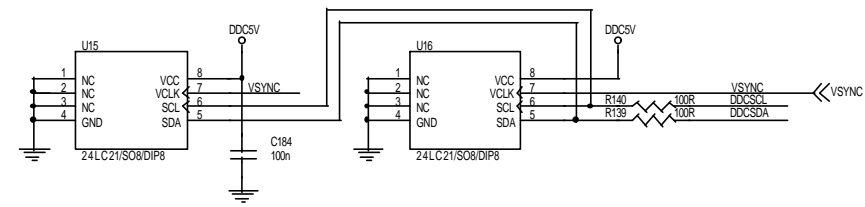
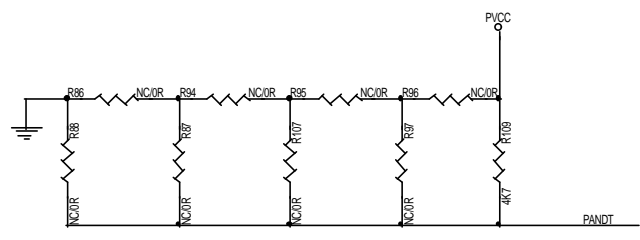
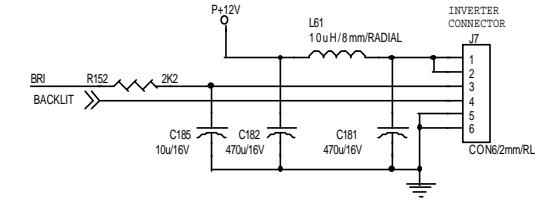
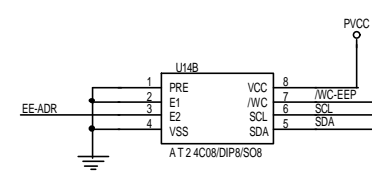
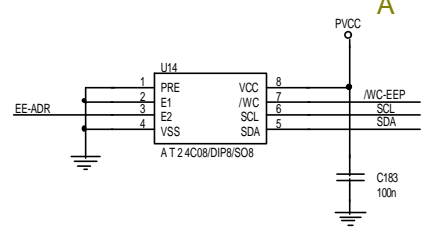
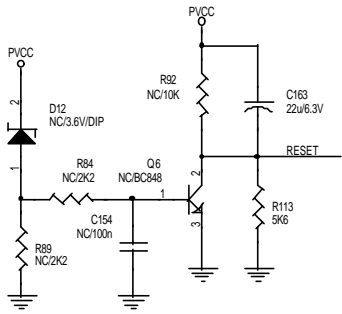
ZURAC i0901 DEMO BOARD		
File	trumpion microelectronics	
AD9884 ADC		
Size	Document Number	Rev
C	(Doc)	1.0
Date	Tuesday, December 07, 1999	Sheet 2 of 6



ZURAC t0901 MCVG-1		
Micon Tech.		
Size B	Document Number (Doc)	Rev 1.0
Date: Monday, December 06, 1999	Sheet 3 of 6	



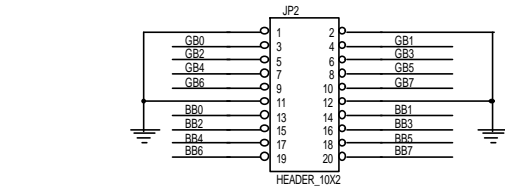
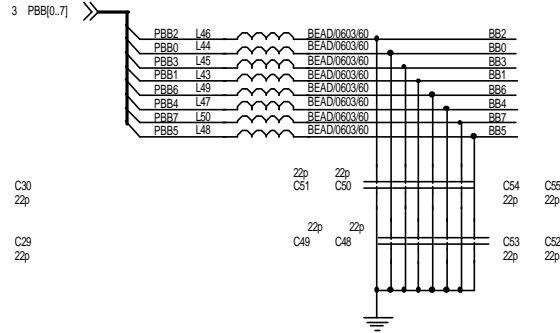
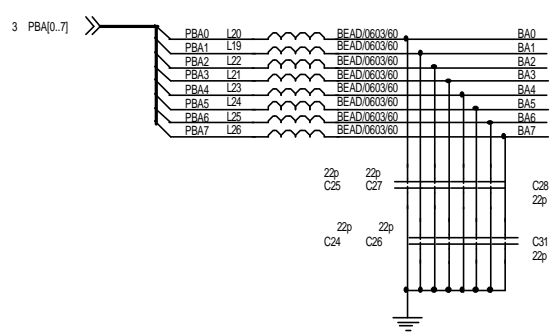
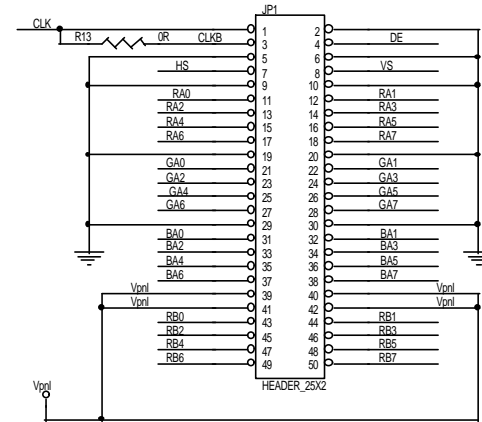
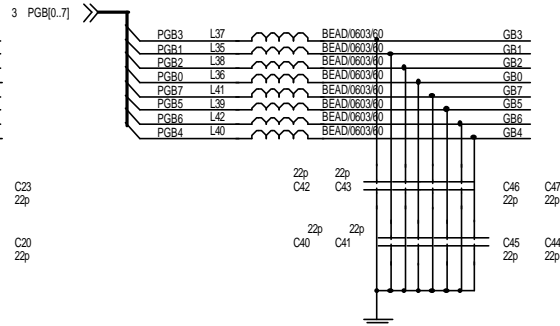
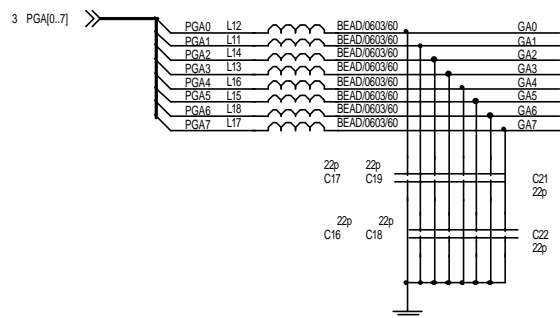
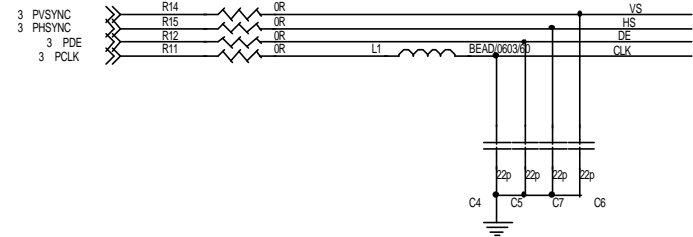
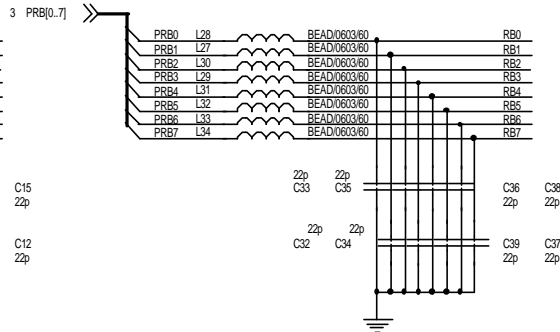
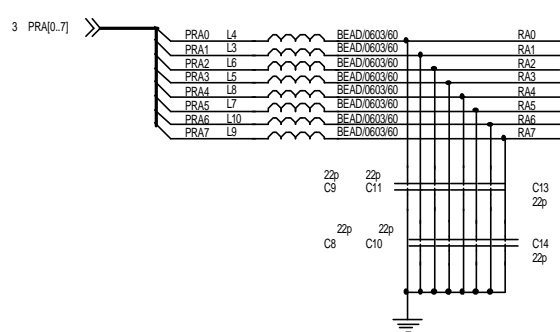
ZURAC t0901 DEMO BOARD		
Title		trumpion microelectronics
Video Decoder		
Size	Document Number	Rev
	SAA7113	1.0
Date:	Sunday, December 05, 1999	Sheet 4 of 6



KEY BUTTON

HEADER_4/100mil
IIC TESTER

Micon Tech.		
ZURAC t0901 MCVG-1		
Title CPU & CONTROL		
Size B	Document Number	Rev 1.0
Date	Sunday, December 05, 1999	Sheet 5 of 6



Title		
output circuit		
Size	Document Number	Rev
B	(Doc)	1
Date:	Sunday, December 05, 1999	Sheet 6 of 6