

5321RD1 Reference Design for CMOS Panels LB064V02

GMI P/N 400-213 Rev 1


CONTENTS

SCHEMATIC	SHEET
1. Contents, Revision History	1
2. Top Level	2
3. Input	3
4. gm5221	4
5. Video Decoder (no function)	5
6. Audio (no function)	6
7. Display	7
8. Power	8

REVISION HISTORY

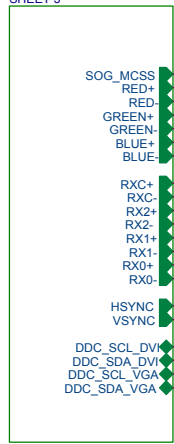
Date	Author	Ver	Comments
7/25/2002	B Cawthorne	A	Initial draft
5/19/2003	B Cawthorne	B	Initial Release. (Adapted from 5221EV2, rather than RD1 Ver A).
01/13/2004	Tony	B1	Pin 70 of gm5221 connect to GND RMADDR5 . RMADDR6 Swap
3-28-2005	ALEX YO	A	100-100-G064 LAYOUT FOR LB064V02 Video Decoder&Audio Functions not including.

5221RD1

	Genesis Microchip Inc.		
	Title 1. Contents		
	Size B	Document Number B0150-SCH-01	Rev B1
Date: Monday, March 28, 2005		Sheet 1 of 8	

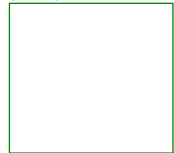
Approval	Organization	Signature	Date
Andre Bower	Genesis Microchip		
Jack Wu	Genesis Microchip		

SHEET 3



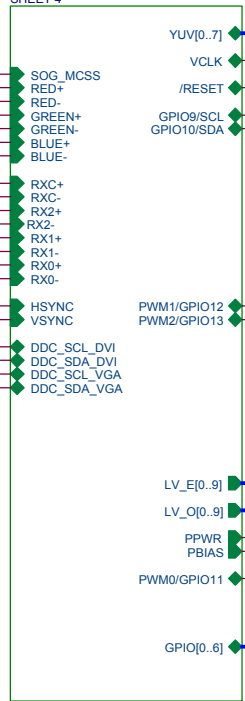
3. INPUTS

SHEET 8



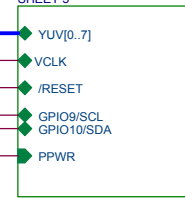
8. POWER

SHEET 4



4. GM5321

SHEET 5



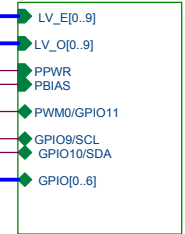
5. VIDEO DECODER

SHEET 6



6. AUDIO

SHEET 7



7. DISPLAY

5221RD1



Genesis Microchip Inc.		
Title		
2. Top Level		
Size	Document Number	Rev
B	B0150-SCH-01	B
Date:	Monday, March 28, 2005	Sheet 2 of 8

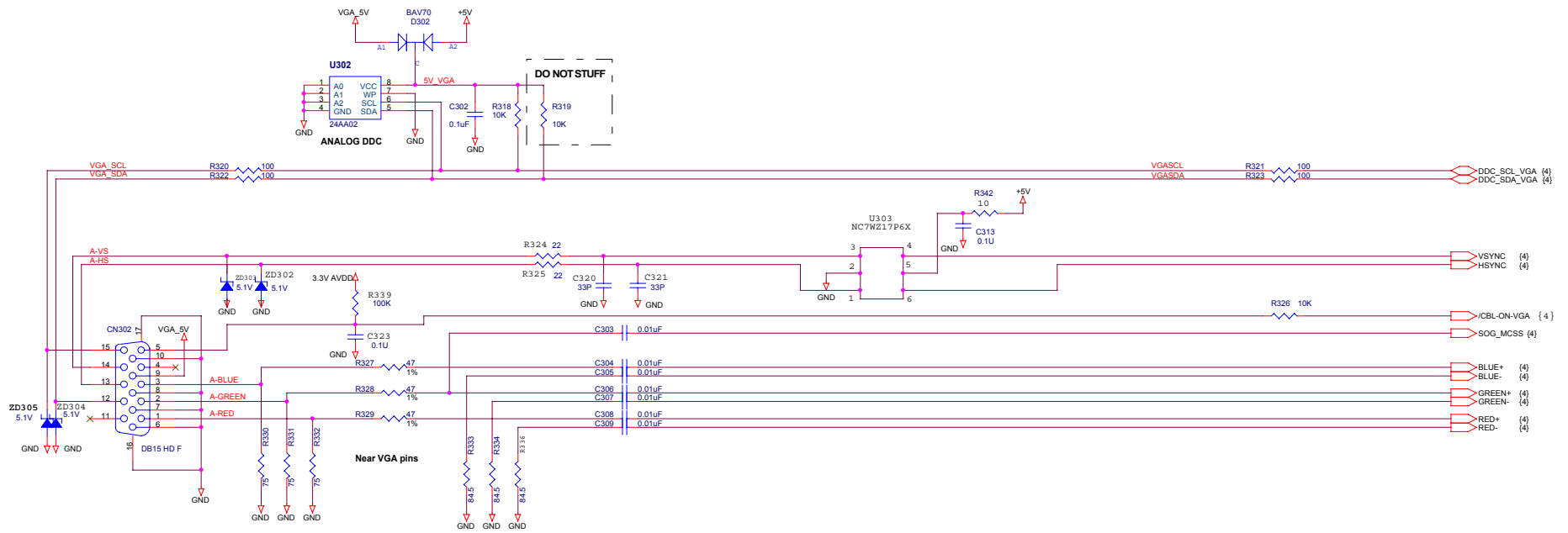
5

4


3

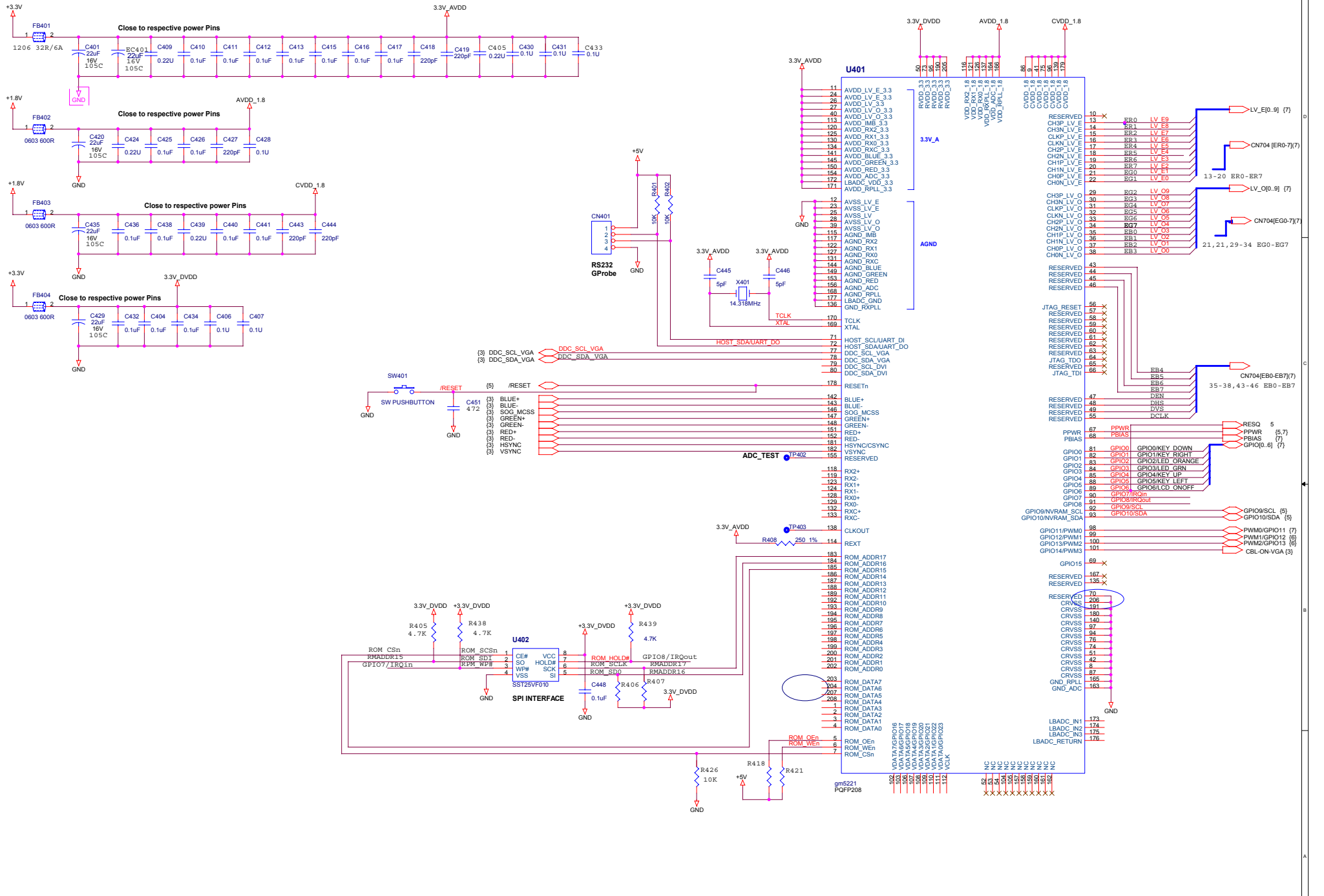
2

1



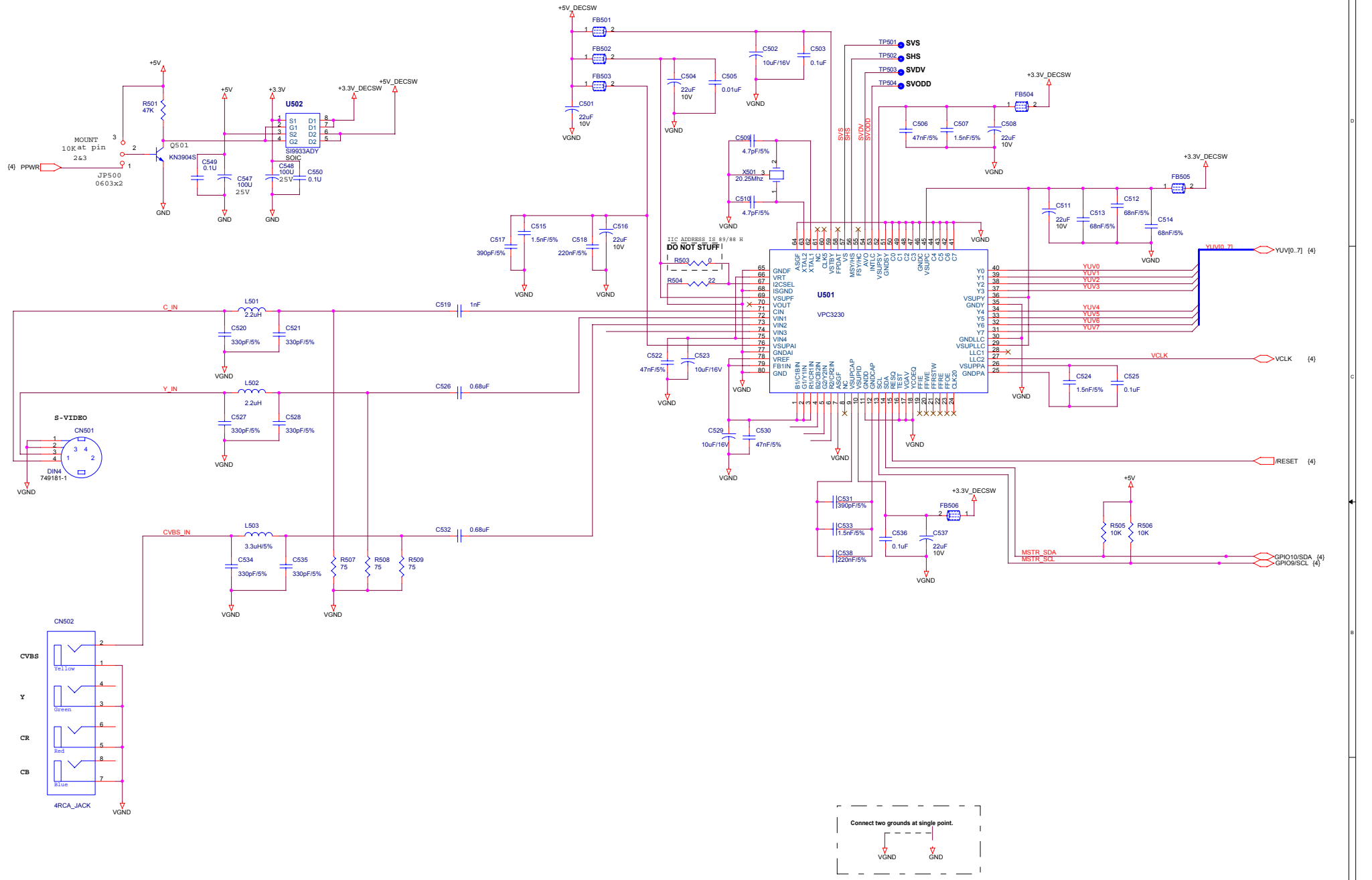
5221RD1

	KRISTEL L.P.		
	Title: 3. Inputs		
Size: C	Document Number: 100-100-G2221		Rev: A
Date: Thursday, March 24, 2005	Sheet: 3	of 8	



5221RD1

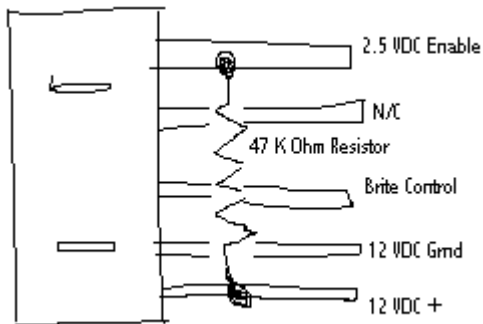
KRISTEL L.P.	
Title	4. gm5221
Size	Document Number 100-100-G054
Date	Thursday, March 24, 2005
Sheet	4 of 8

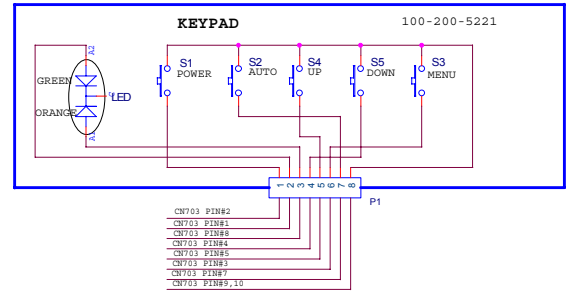
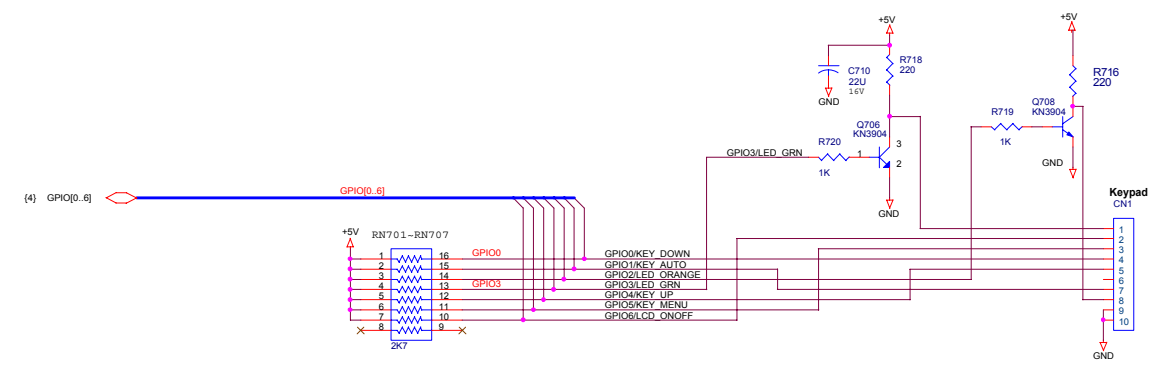
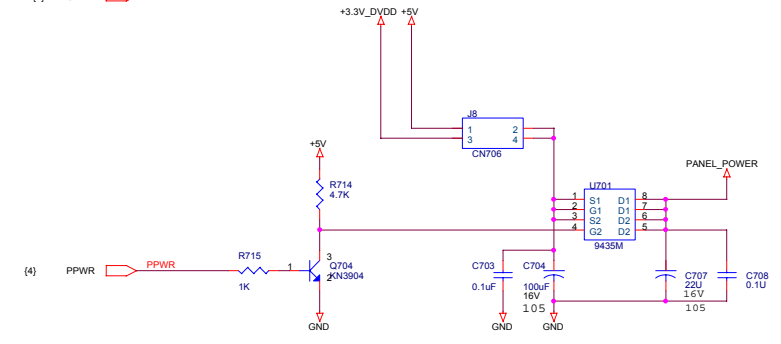
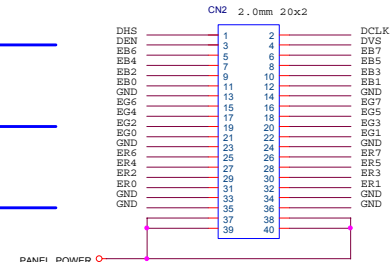
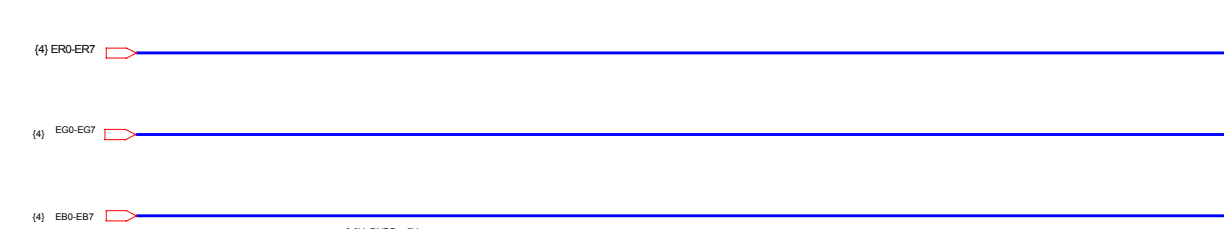
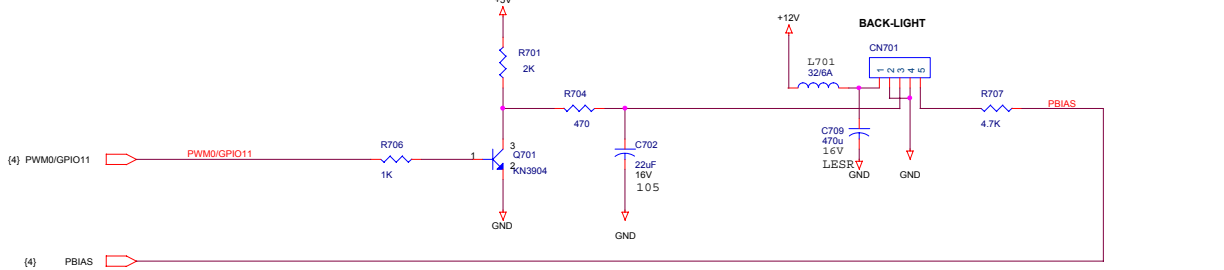


5221RD1

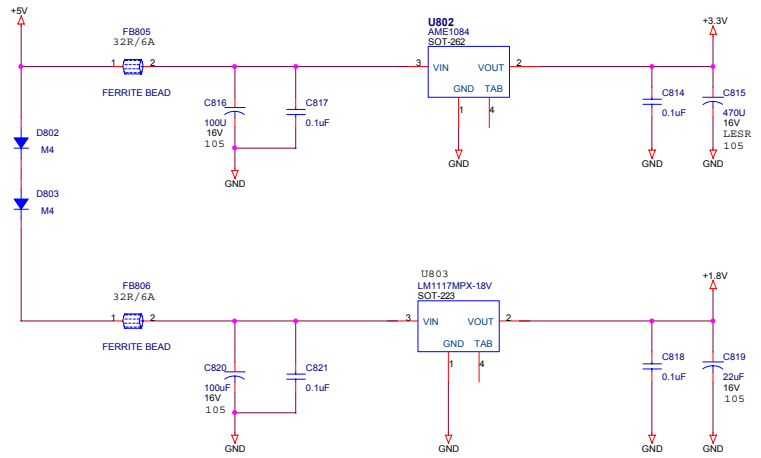
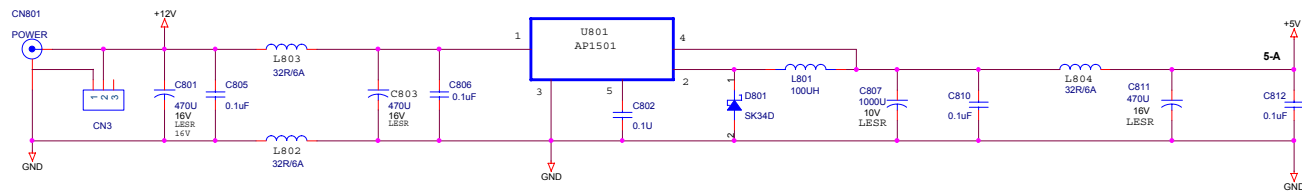
	KRISTEL I.P.	
	File S-VIDEO DECODER	
	Size C	Document Number 100-100-G221V
	Date Thursday, December 30, 2004	Sheet 5 of 8

Rev
A





5221RD1



5221RD1

KRISTEL L.P.		
Title	8. Power	
Size	Document Number	Rev
C	100-100-G054	A
Date:	Sunday, March 27, 2005	Sheet 8 of 8