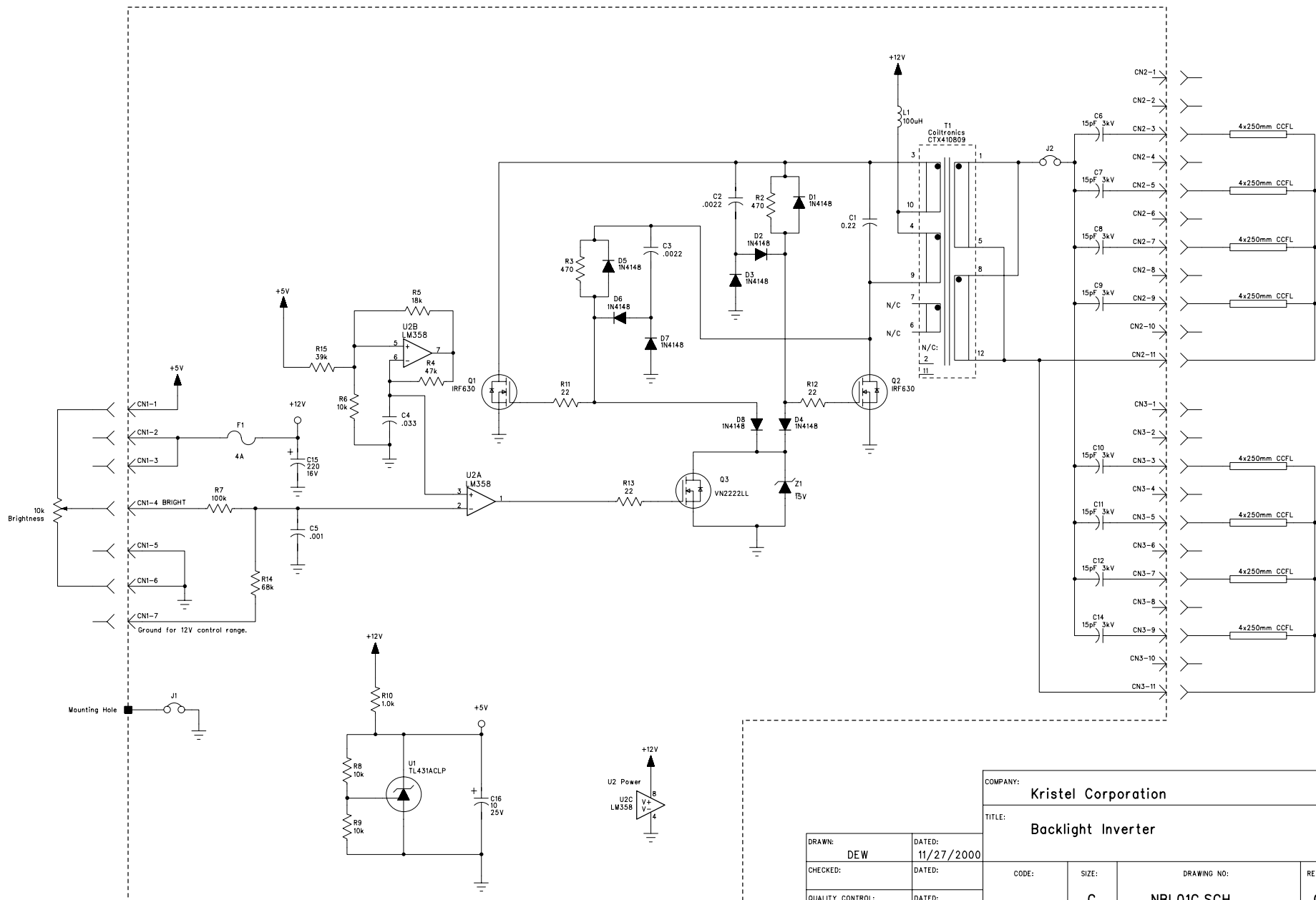


REVISION RECORD			
LTR	ECO NO:	APPROVED:	DATE:



COMPANY: Kristel Corporation				
TITLE: Backlight Inverter				
DRAWN: DEW	DATED: 11/27/2000	CODE:	SIZE: C	DRAWING NO: NBL01C.SCH
CHECKED:	DATED:	REV: C	SHEET 1 of 1	
QUALITY CONTROL:	DATED:	SCALE:		
RELEASED:	DATED:			