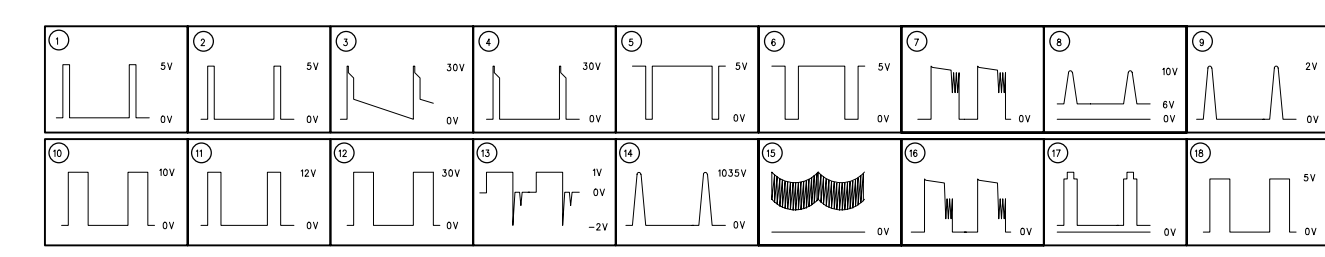
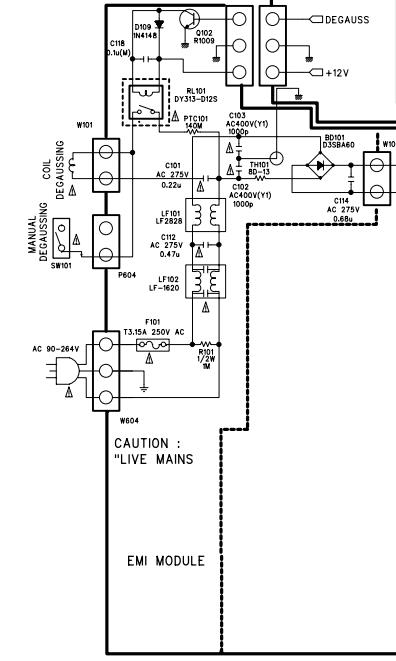
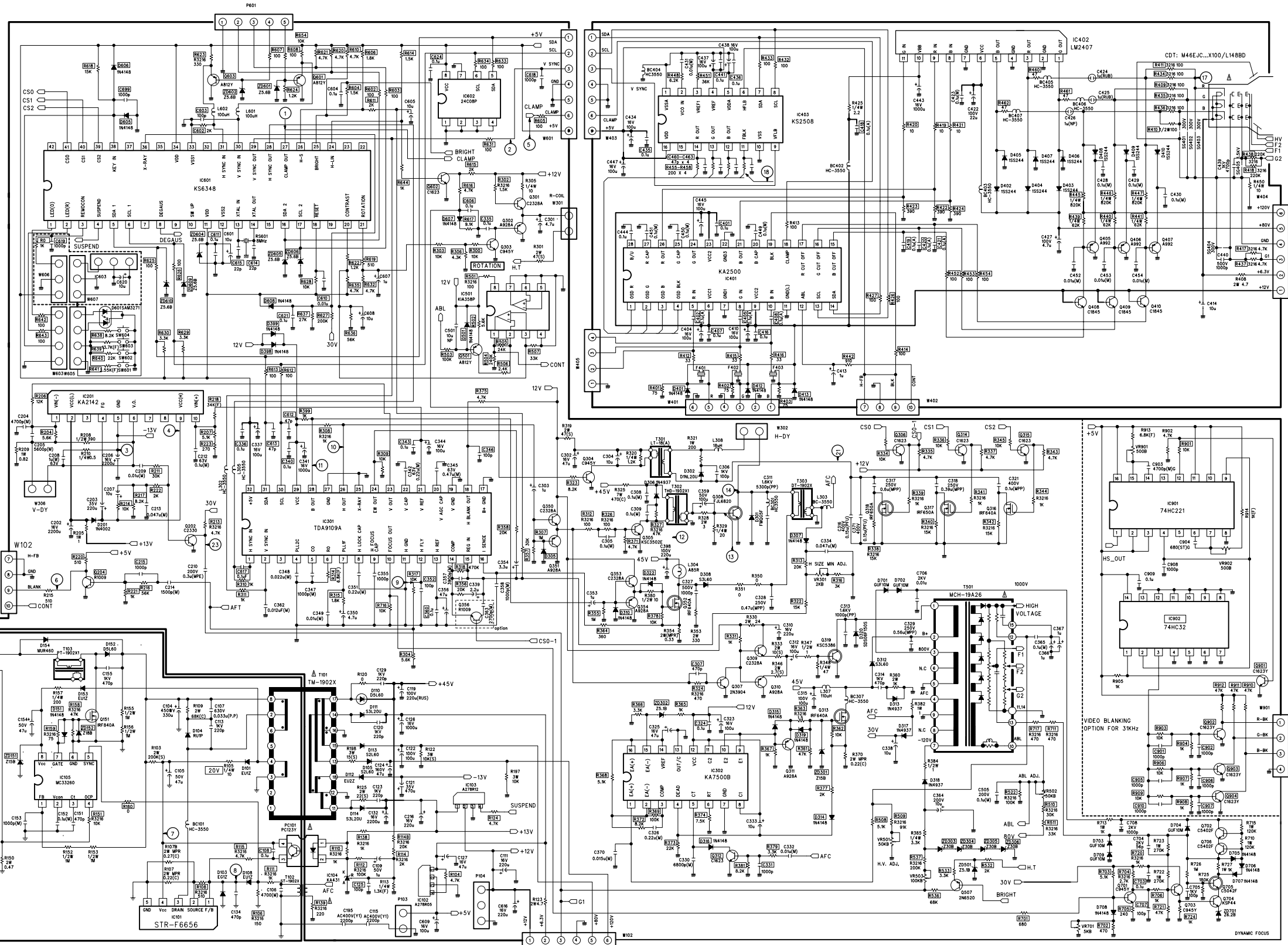


Frequence	CS0	CS1	CS2
68Khz	H	H	H
64Khz	H	H	H
60Khz	H	H	L
53Khz	H	H	L
48Khz	H	L	H
46Khz	H	L	H
43Khz	H	L	L
37Khz	L	H	L
35Khz	L	L	H
31Khz	L	L	L



TITLE	SCHEMATIC	DATE	2002.12.04	APPROVAL	CHECK	DESIGN	DRAWING
MODEL NO.	MTG-1702XT	REV. NO.	0				
DRAWING NO.	STCG17J11A	CUSTOMER DRAWING NO.					
PAGE	1 OF 1	TOVIS CO., LTD.					

TOTAL VISUAL APPLIANCE