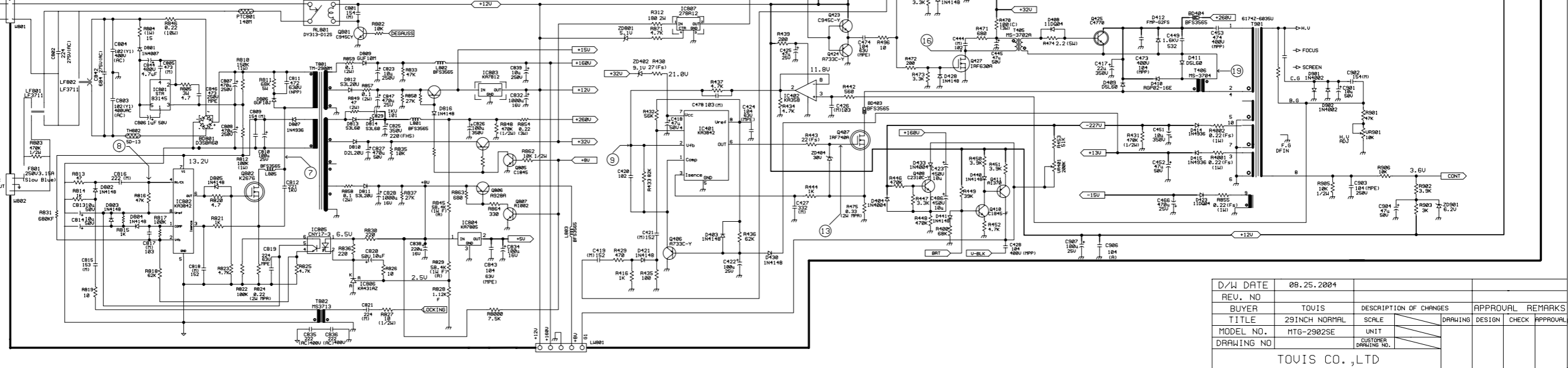
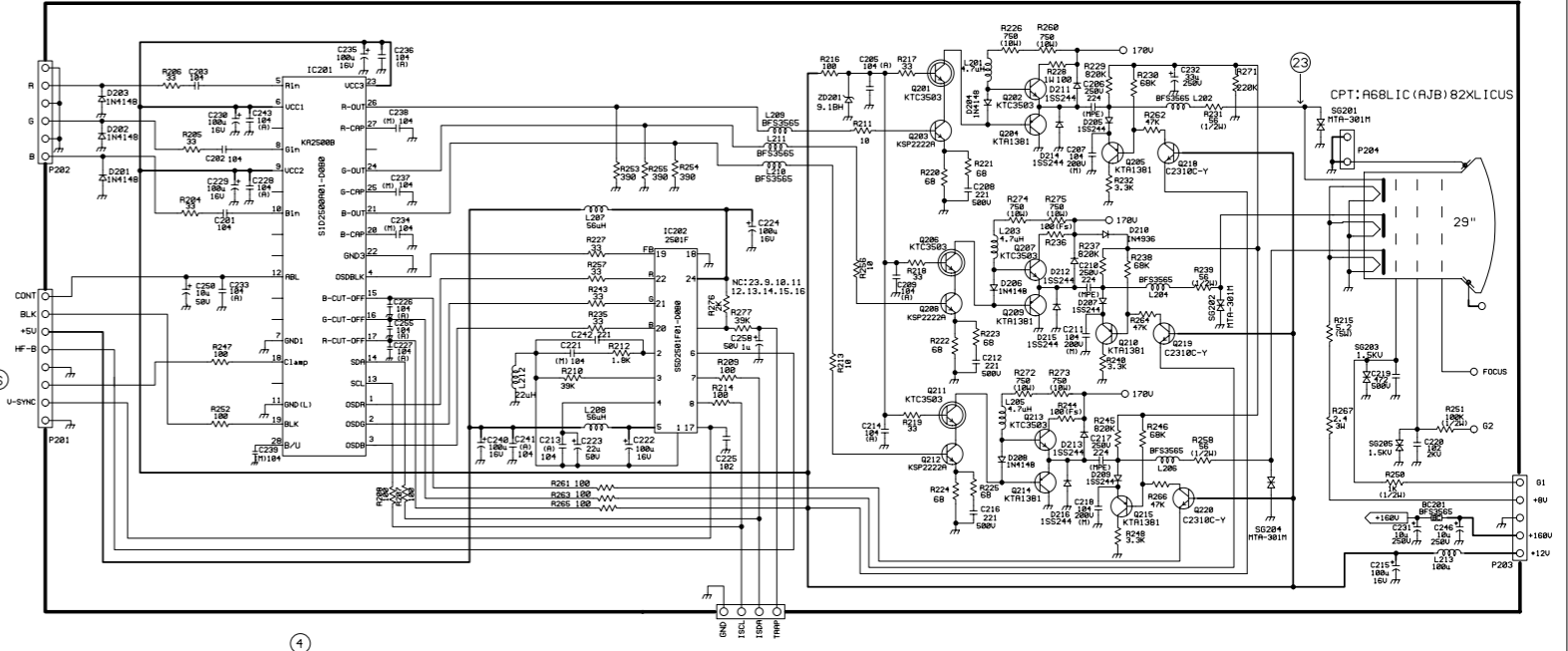
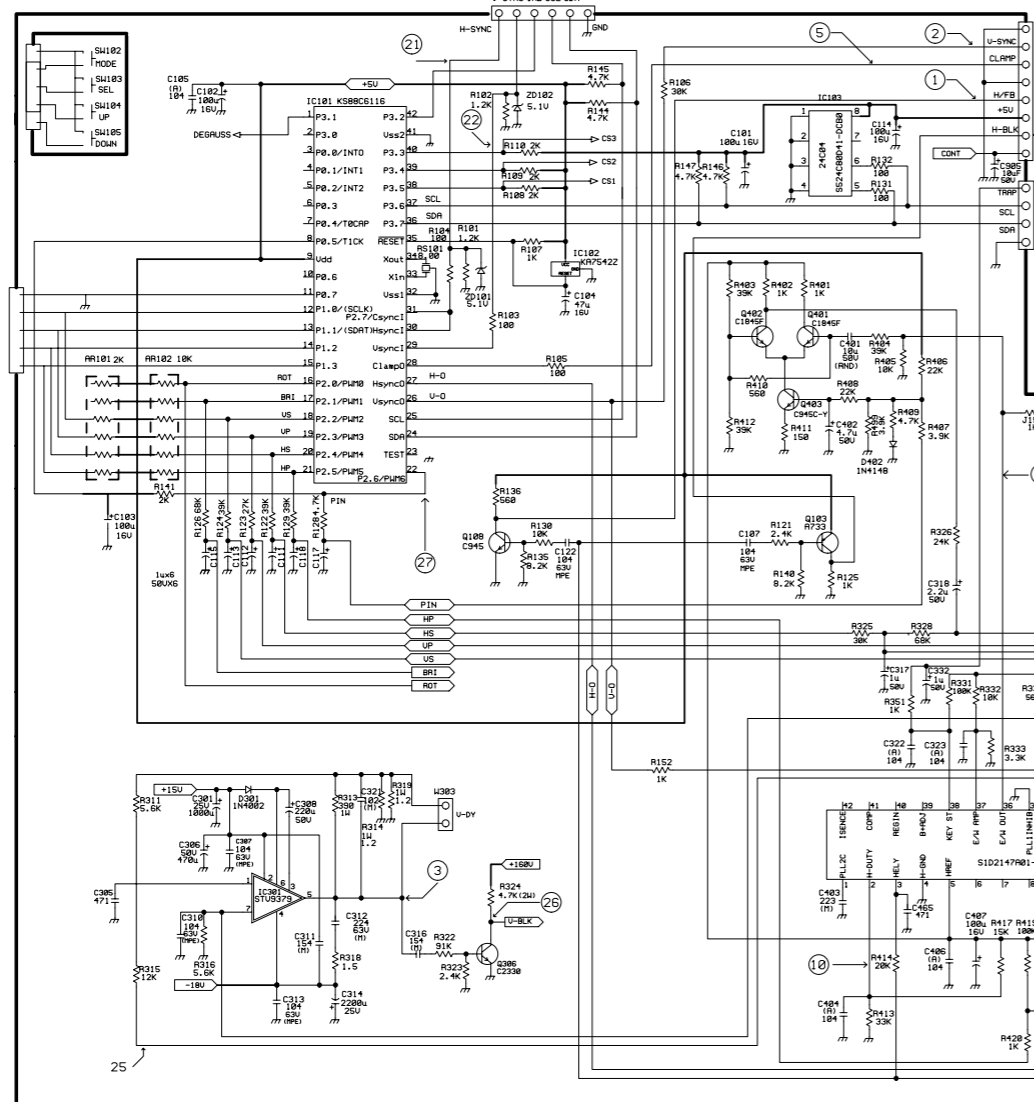


MCU OUTPUT STATE									
No	Hf	uf	Resolution	Range of Frequency	OUT PUT (MCU PIN)	C21	C22	C23	C24
1	20KHz	60Hz	512 x 312	22 - 28.5	68 - 62	L	L	L	L
2	31.5KHz	70Hz	728 x 488	28 - 32.5	58 - 52	L	L	L	L
3	31.5KHz	80Hz	888 x 588	32 - 36.5	58 - 52	L	L	L	L
4	31.5KHz	90Hz	888 x 588	36 - 40.5	58 - 52	H	H	H	H



D/W DATE	08.25.2004		
REV. NO			
BUYER	TOVIS	DESCRIPTION OF CHANGES	APPROVAL REMARKS
TITLE	29INCH NORMAL	SCALE	DRAWING DESIGN CHECK APPROVAL
MODEL NO.	MTG-2902SE	UNIT	
DRAWING NO.		CUSTOMER DRAWING NO.	
TOVIS CO., LTD			

NOTE  
 1. RESISTANCE IS SHOWN IN OHM K=1,000 M=1,000,000  
 2. UNLESS OTHERWISE NOTED IN SCHEMATIC ALL CAPACITOR UNLESS LESS THAN 1 ARE EXPRESSED IN UF AND THE VALUES MORE THAN 1 IN pF