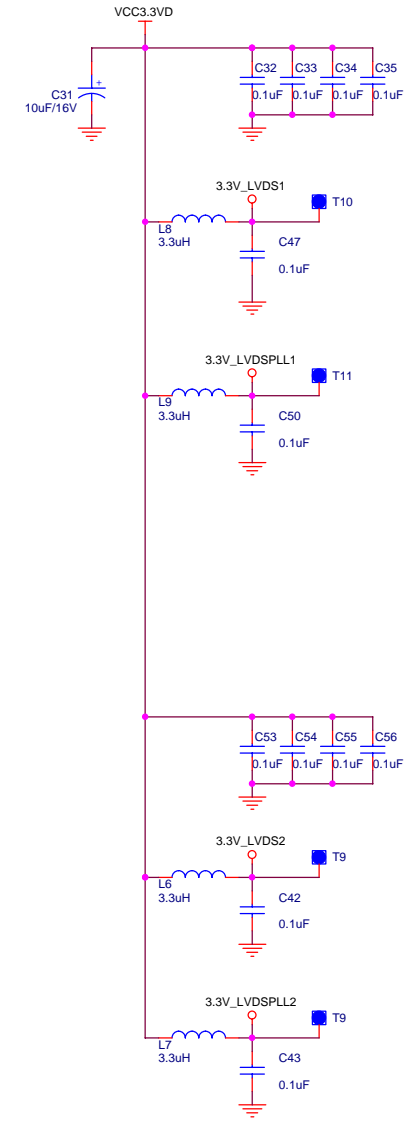
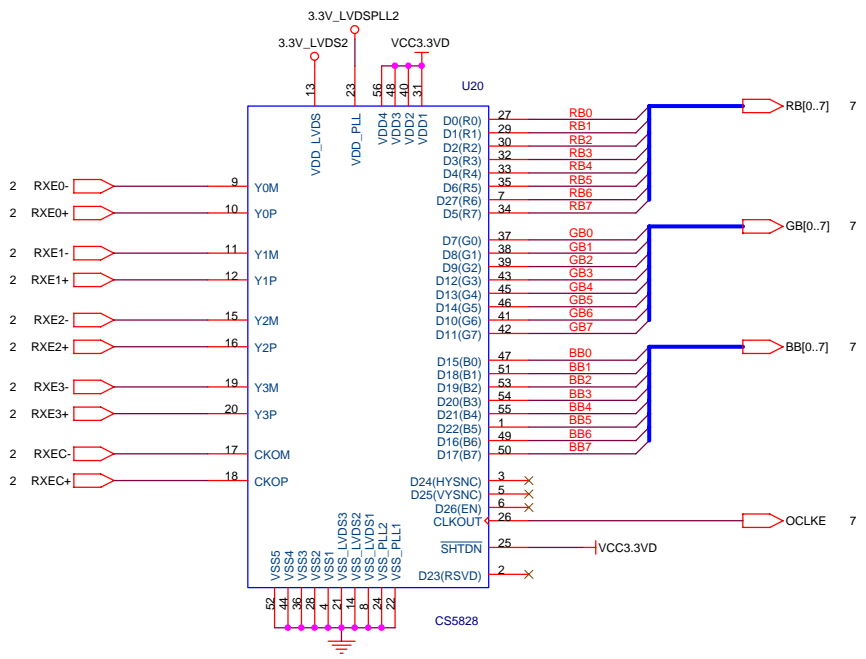
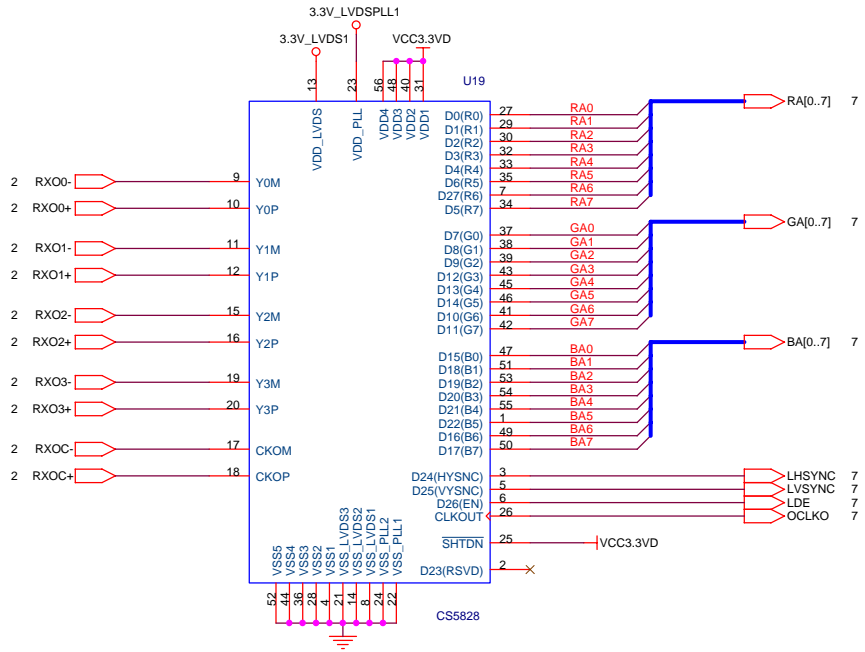


TOVIS TOTAL VISUAL APPLIANCE

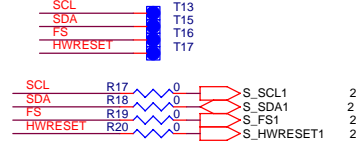
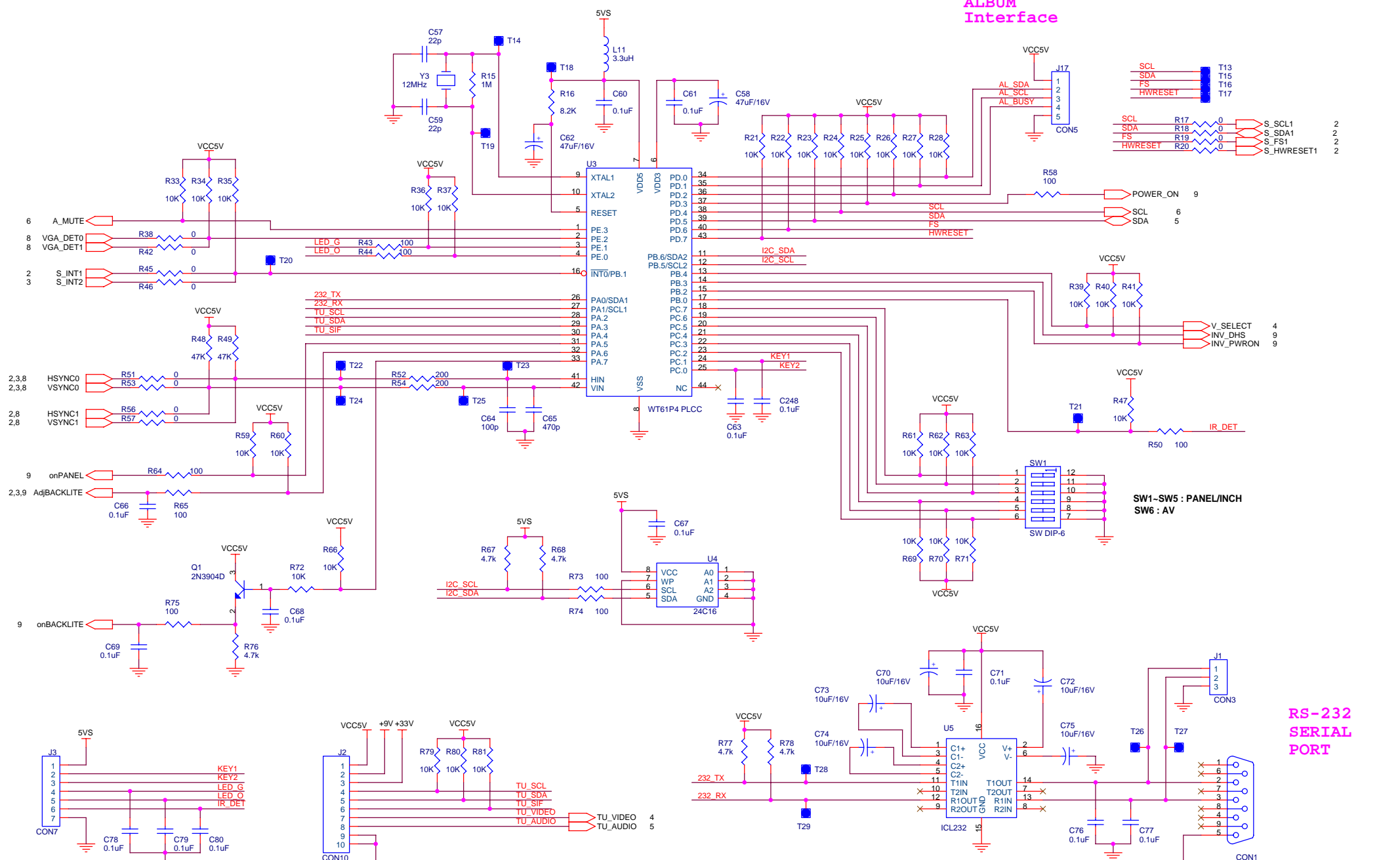
TITLE	SCALER(9131)	DATE	Thursday, January 30, 2003	APPROVAL	CHECK	DESIGN	DRAWING
Model No.	Champion Junior	REV No.	<RevCode>	<Sign1>	<Sing2>	<Sign3>	<Sign4>
Drawing No.	<Drawing No>	CUSTOMER DRAWING No.					
Page	2 OF 10	TOVIS Co., Ltd.					



TOVIS TOTAL VISUAL APPLIANCE

TITLE	LVDS(Receiver)	DATE	Thursday, January 30, 2003	APPROVAL	CHECK	DESIGN	DRAWING
Model No.	Champion Junior	REV No.	<RevCode>	<Sign1>	<Sign2>	<Sign3>	<Sign4>
Drawing No.	<Drawing No>	CUSTOMER DRAWING No.					
Page	3 OF 10	TOVIS Co., Ltd.					

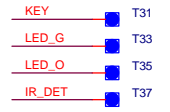
ALBUM Interface



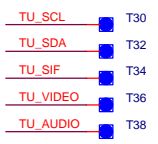
SW1-SW5 : PANEL/INCH
SW6 : AV

RS-232 SERIAL PORT

to KEY PAD

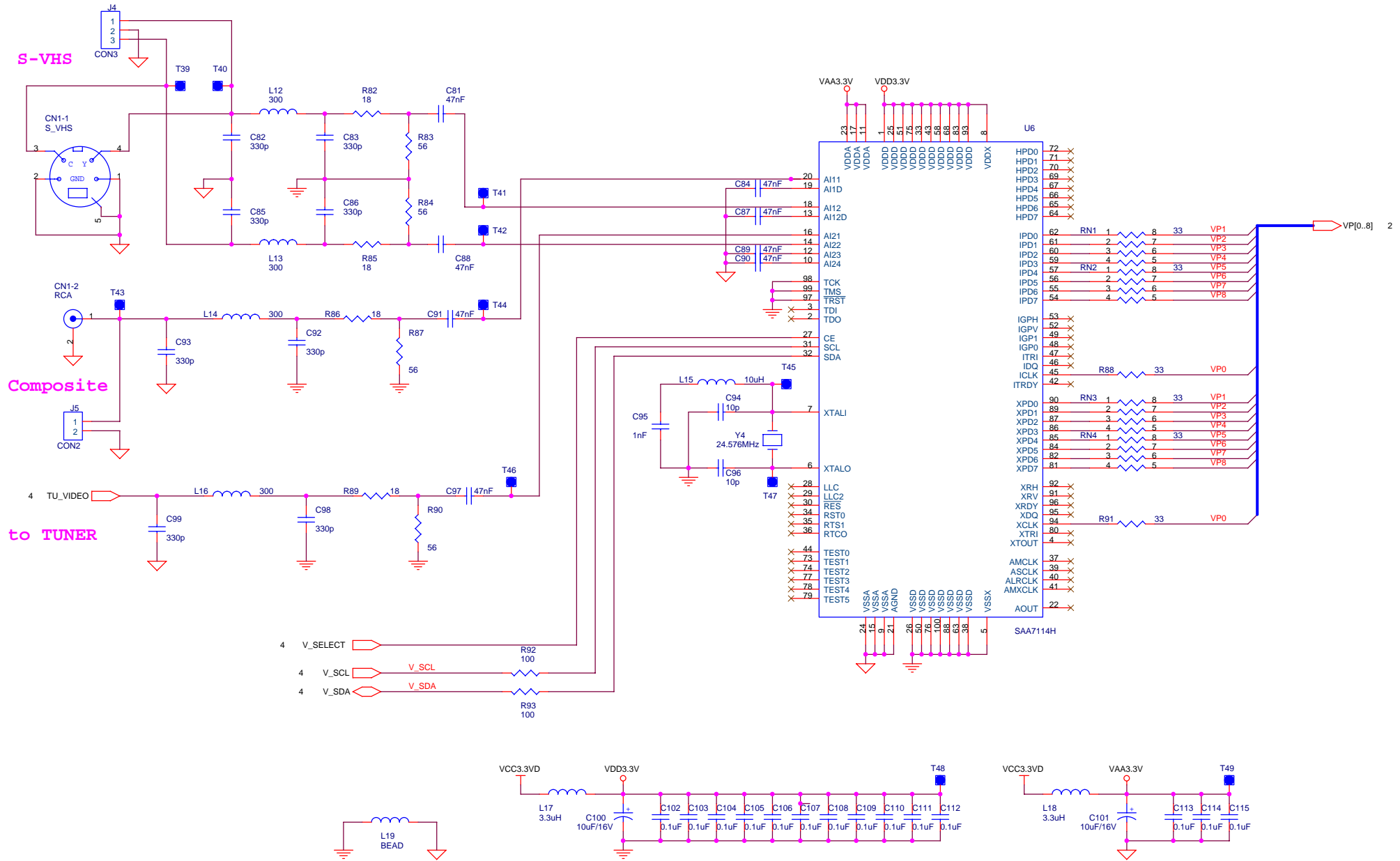


to TUNER



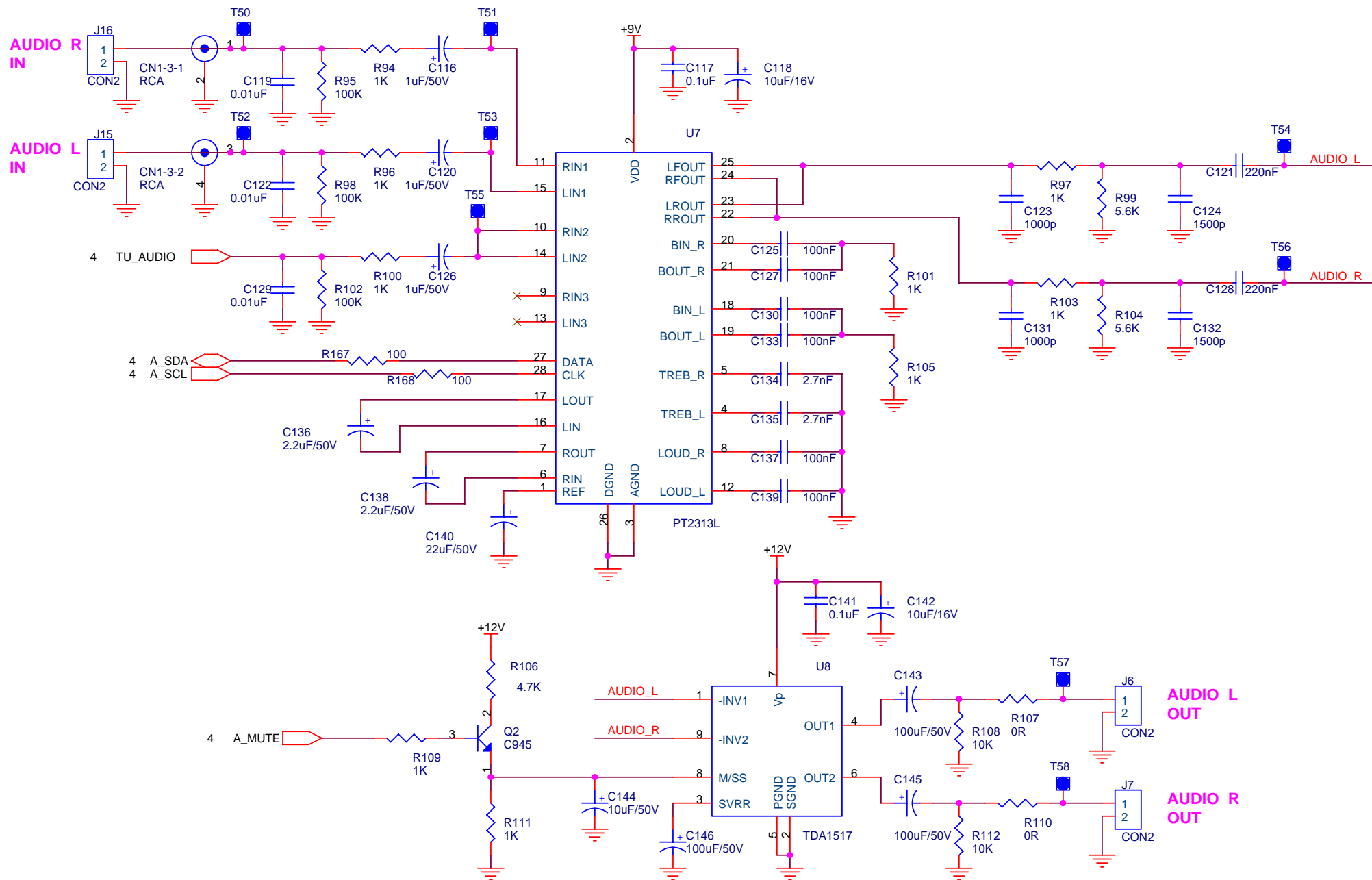
TOVIS TOTAL VISUAL APPLIANCE

TITLE	u-COM / RS-232	DATE	Thursday, January 23, 2003	APPROVAL	CHECK	DESIGN	DRAWING
Model No.	Champion Junior	REV No.	V1.0	<Sign1>	<Sing2>	<Sign3>	<Sign4>
Drawing No.	<Drawing No>	CUSTOMER DRAWING No.					
Page	4 OF 10	TOVIS Co., Ltd.					



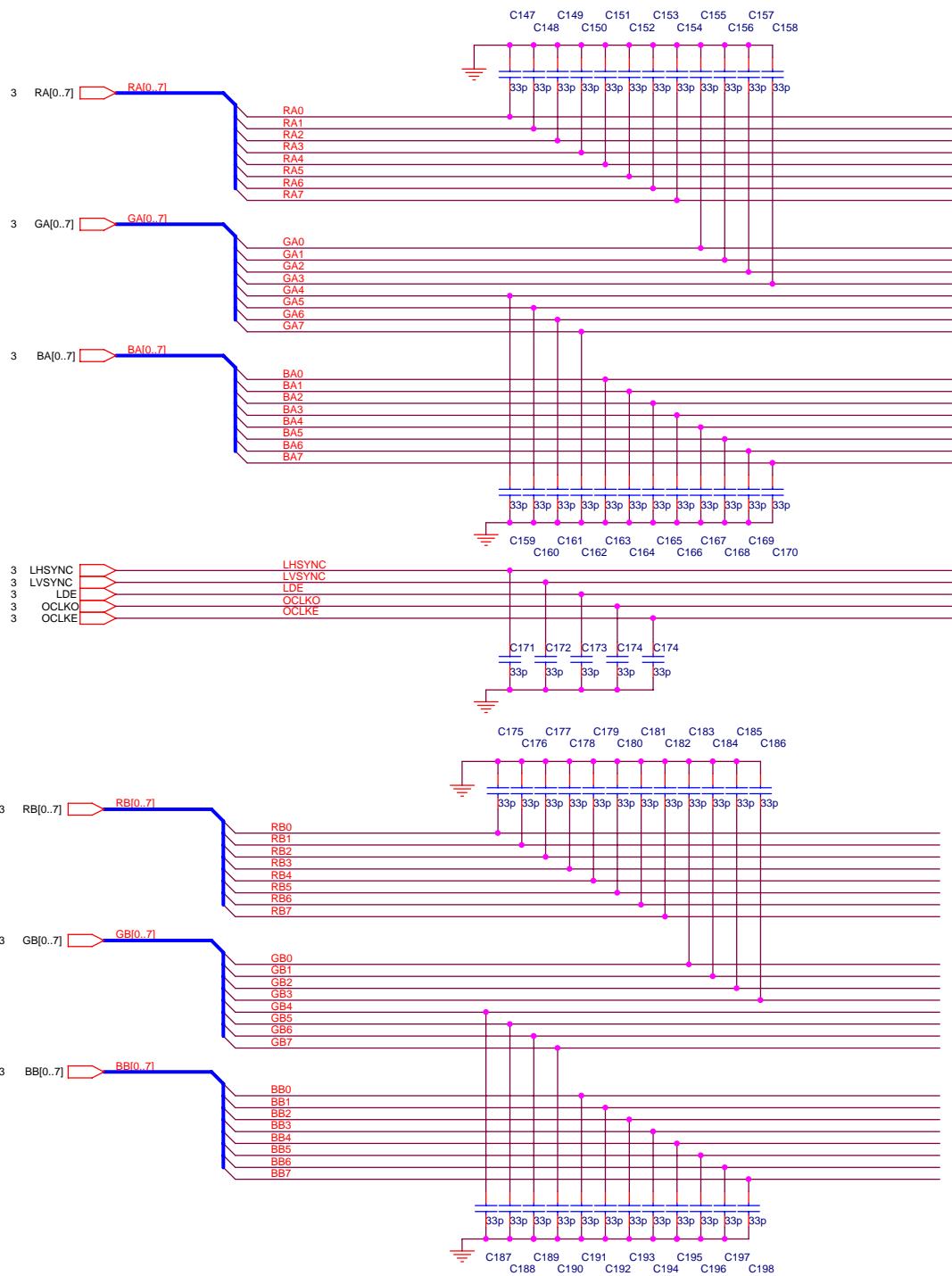
TOVIS TOTAL VISUAL APPLIANCE

TITLE	VIDEO	DATE	Thursday, January 23, 2003	APPROVAL	CHECK	DESIGN	DRAWING
Model No.	Champion Junior	REV No.	V1.0	<Sign1>	<Sing2>	<Sign3>	<Sign4>
Drawing No.	<Drawing No>	CUSTOMER DRAWING No.					
Page	5 OF 10	TOVIS Co., Ltd.					

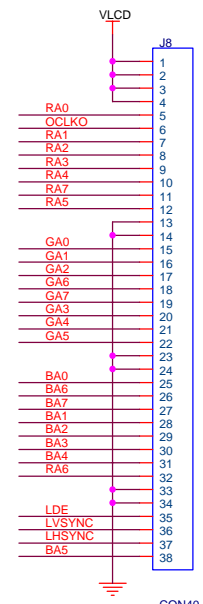


FOVIS® TOTAL VISUAL APPLIANCE
Total Visual Appliance

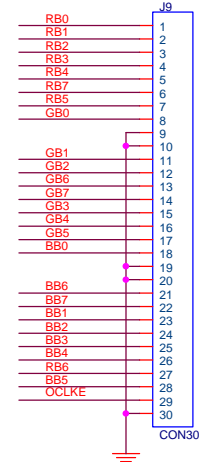
TITLE	AUDIO / AMP	DATE	Thursday, January 23, 2003	APPROVAL		CHECK		DESIGN		DRAWING	
Model No.	Champion Junior	REV No.	V1.0	<Sign1>	<Sing2>	<Sign3>	<Sign4>				
Drawing No.	<Drawing No>	CUSTOMER DRAWING No.									
Page	6 OF 10	TOVIS Co., Ltd.									



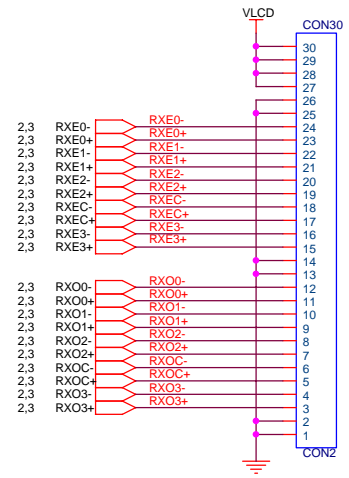
TTL ODD



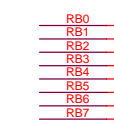
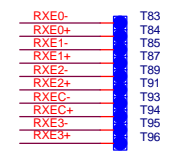
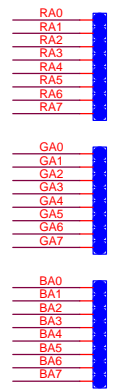
TTL EVEN



LVDS

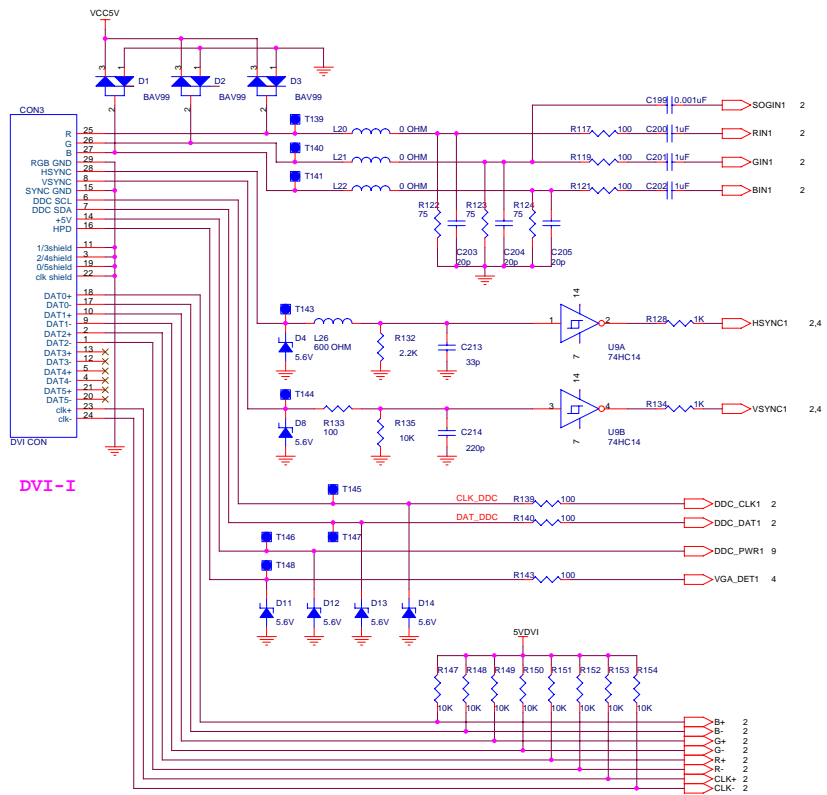


Dual LVDS<30pin> and Single LVDS<20pin> PCB Layout Notice

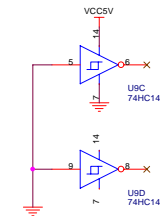
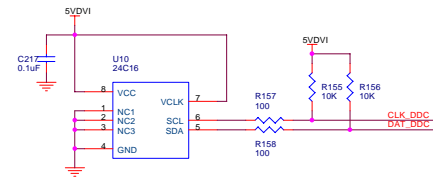
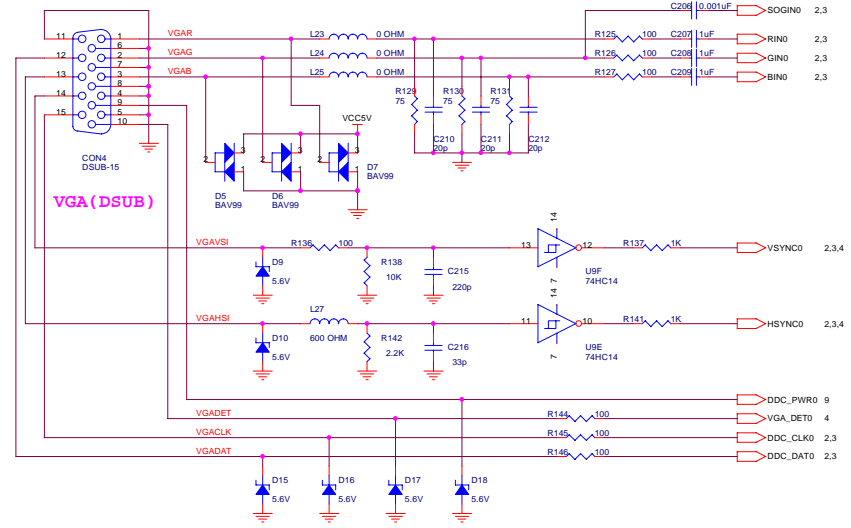
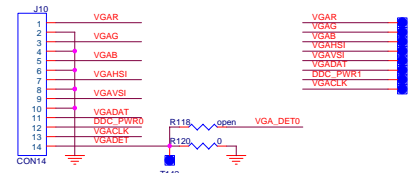


TOVIS TOTAL VISUAL APPLIANCE

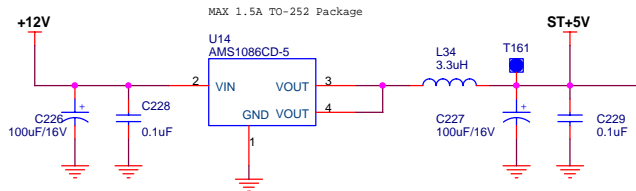
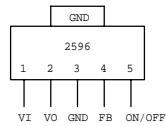
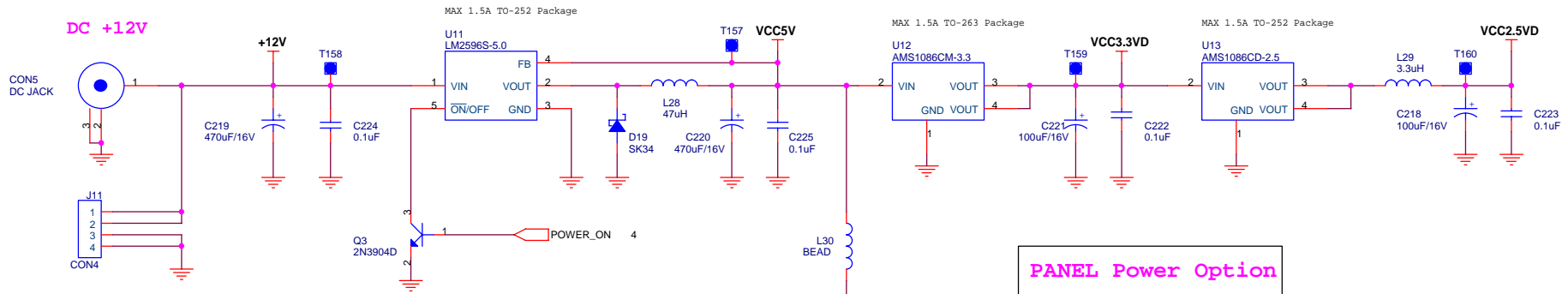
TITLE	TTL(LCD) PANEL	DATE	Thursday, January 23, 2003	APPROVAL	CHECK	DESIGN	DRAWING
Model No.	Champion Junior	REV No.	V1.0	<Sign1>	<Sing2>	<Sign3>	<Sign4>
Drawing No.	<Drawing No>	CUSTOMER DRAWING No.					
Page	7 OF 10	TOVIS Co., Ltd.					



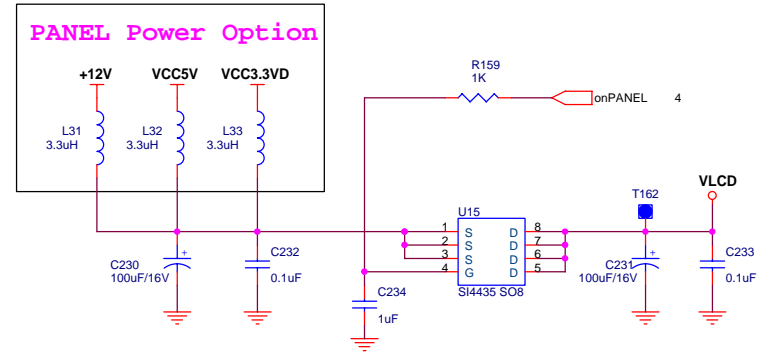
DVI-I



TOVIS TOTAL VISUAL APPLIANCE		DATE	APPROVAL	CHECK	DESIGN	DRAWING
TITLE	DVI-I / VGA	Thursday, January 23, 2003				
Model No.	Champion Junior	REV No.	V1.0			
Drawing No.	<Drawing No>	CUSTOMER DRAWING No.		<Sign>	<Sign>	<Sign>
Page	8 OF 10	TOWIS Co., Ltd.				



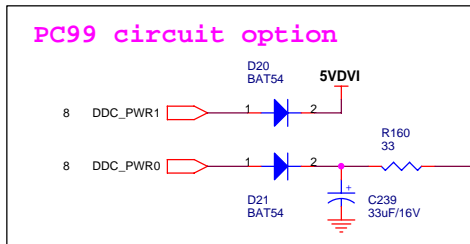
uCOM POWER (STANBY)



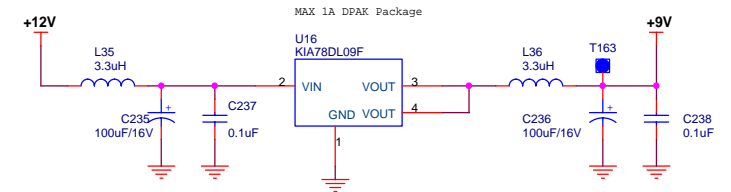
PANEL 5V : = 250-300mA

INVERTER : = 1.5A

SYSTEM : = 250-300mA



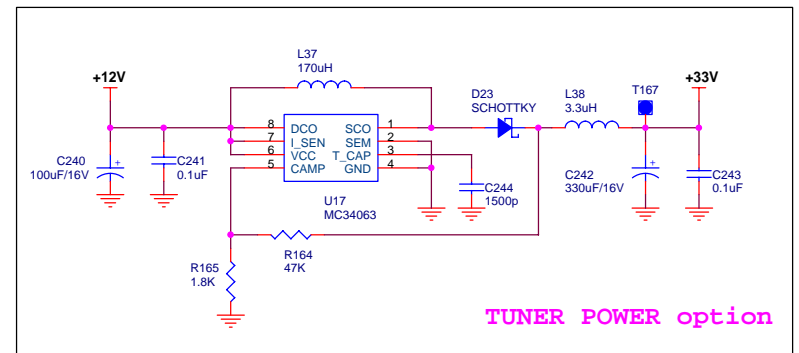
PC99 circuit option



to TOUCH option

to Inverter

from Inverter option



TUNER POWER option

TOVIS TOTAL VISUAL APPLIANCE
Total Visual Appliance

TITLE	POWER	DATE	Thursday, January 23, 2003	APPROVAL	CHECK	DESIGN	DRAWING
Model No.	Champion Junior	REV No.	V1.0	<Sign1>	<Sign2>	<Sign3>	<Sign4>
Drawing No.	<Drawing No>	CUSTOMER DRAWING No.					
Page	9 OF 10	TOVIS Co., Ltd.					